 Sontec Instruments®

SINUSCOPY

## Frontal Sinus Giraffe Punch

---

### Double Action Cup / 50 degree / 5 3/4" (14.6 cm) shaft

468-340 vertical 2 mm  
468-342 horizontal 2 mm

### Double Action Cup / 90 degree / 5 3/4" (14.6 cm) shaft

468-344 vertical 2 mm



## Frontal Sinus Giraffe Forceps

**Double Action Cup / 45 degree / 5 1/4" (13.5 cm) shaft**

468-330 vertical 2 mm

468-331 horizontal 2 mm

**Double Action Cup / 90 degree / 5 3/4" (14.6 cm) shaft**

468-343 horizontal 2 mm



## Frontal Sinus Giraffe Forceps

---

Double Action Cup / 45 degree / 5 1/4" (13.5 cm) shaft

468-332 vertical 3 mm

468-333 horizontal 3 mm



468-332



468-333

## Frontal Sinus Giraffe Forceps

---

Double Action Cup / 90 degree / 5 1/4" (13.5 cm) shaft

468-334 horizontal 2 mm  
468-335 vertical 2 mm



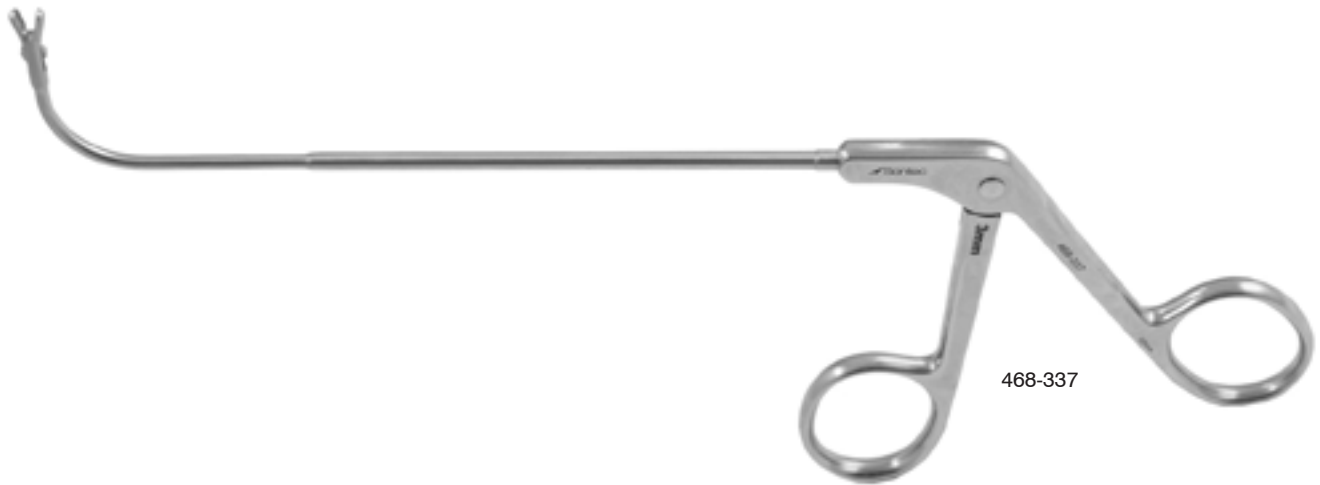
## Frontal Sinus Giraffe Forceps

---

Double Action Cup / 90 degree / 5 1/4" (13.5 cm) shaft

468-336 horizontal 3 mm

468-337 vertical 3 mm



**Frontal Sinus Giraffe Forceps**

---

Double Action Cup / 90 degree / 5 1/4" (13.5 cm) shaft

468-338 vertical 4 mm

468-339 horizontal 4 mm



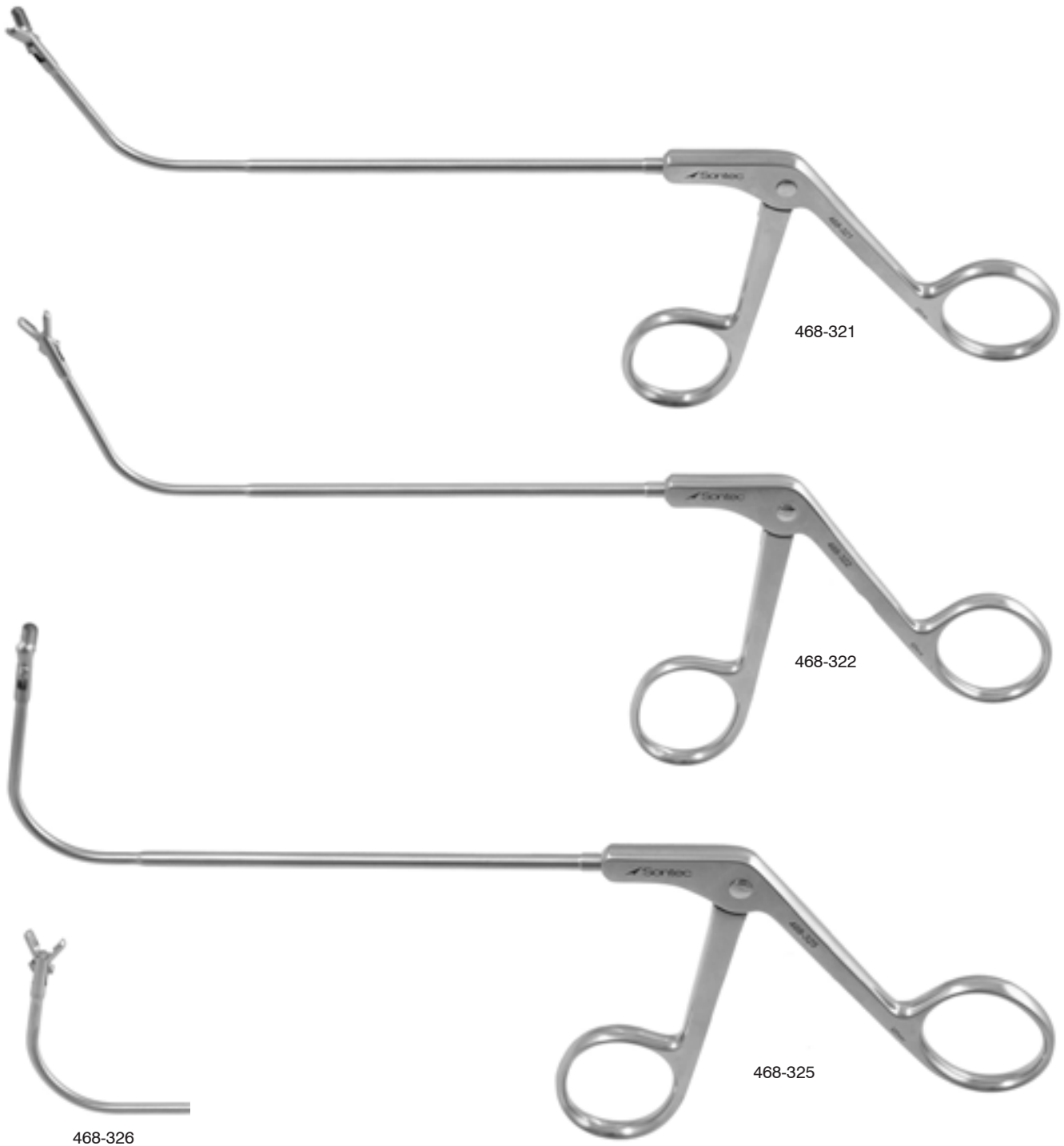
## Frontal Sinus Giraffe Forceps

**Double Action Cup / 70 degrees/ 3 mm / 4 3/4" (12 cm) shaft**

- 468-321 horizontal
- 468-322 vertical

**Double Action Cup / 110 degrees/ 3 mm / 4 3/4" (12 cm) shaft**

- 468-325 horizontal
- 468-326 vertical





## Frontal Sinus Giraffe Forceps

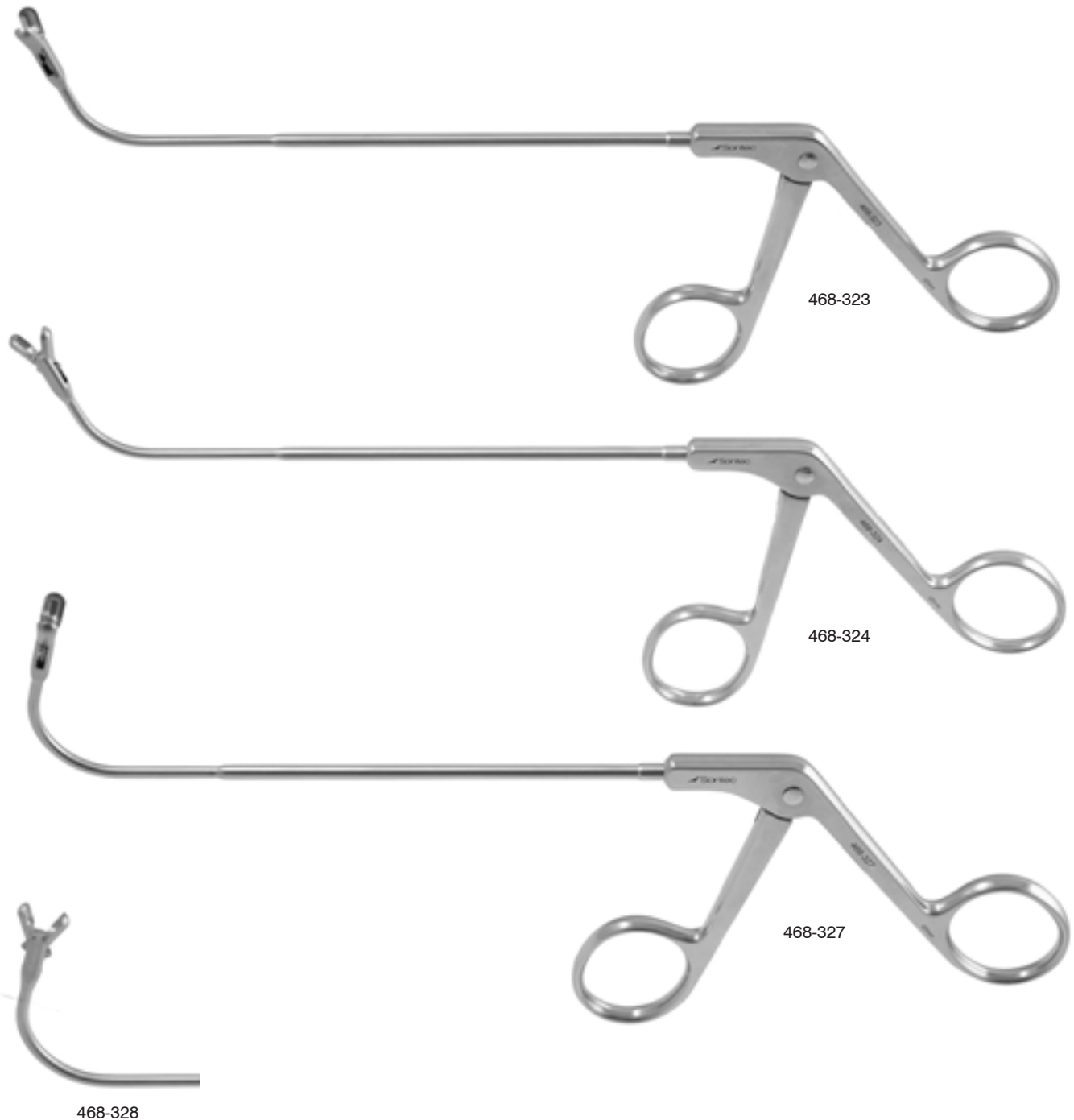
---

**Double Action Cup / 70 degrees/ 4 mm / 4 3/4" (12 cm) shaft**

468-323 horizontal  
468-324 vertical

**Double Action Cup / 110 degrees/ 4 mm / 4 3/4" (12 cm) shaft**

468-327 horizontal  
468-328 vertical



**Micro Biopsy Forceps with Flexible Shaft**

Flexible shaft / 2.2 round cup jaw / 6" (15.2 cm) flexible shaft

1271-0156

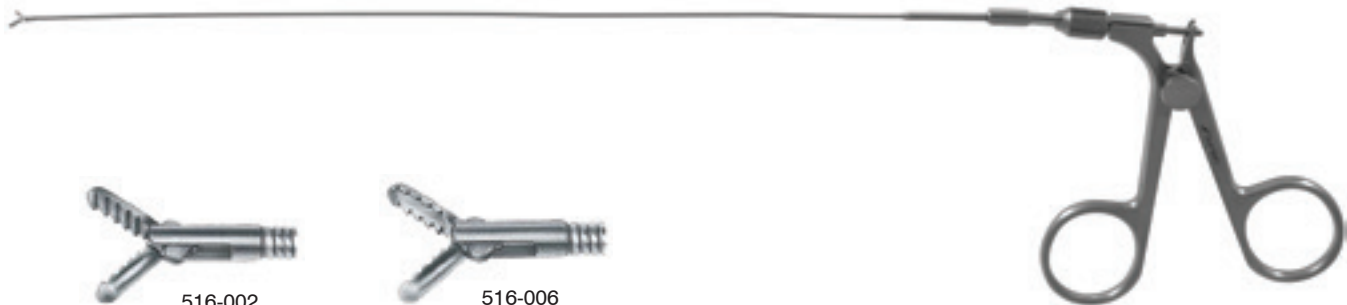


1271-0156

**Foreign Body Removal / Grasping Forceps**

Ring handle / flexible cable shaft designed to glide through desired scope

516-002	serrated jaw 1.2 mm	21 cm
516-003	serrated cup 1.2 mm	21 cm
516-005	serrated jaw 1.0 mm	40 cm
516-006	serrated cup 1.2 mm	40 cm
516-007	serrated jaw 1.2 mm	21 cm
516-008	serrated cup 1.2 mm	21 cm



## Frontal Ostium Nasal Rongeur

70° curved up / 5 1/2" (14 cm) shaft

468-010 2 mm x 2.5 mm jaw pediatric

468-011 3 mm x 3.5 mm jaw

468-012 5 mm x 5 mm jaw



## Antrum Grasping Forceps

---

90° to 120° backbiter jaw open / 10 cm working length

468-360 fixed shaft

468-362 360° rotatable shaft



## Biopsy Forceps

---

4 mm cup / double action / vertical jaw  
open / straight / 180 mm working length

468-370



## Antrum Biopsy Forceps

---

Double action / vertical jaw / straight /  
140 mm working length

468-371 3 mm x 5 mm oval cup

468-372 2.2 mm x 3.8 oval cup

468-373 4 mm x 6 mm oval cup



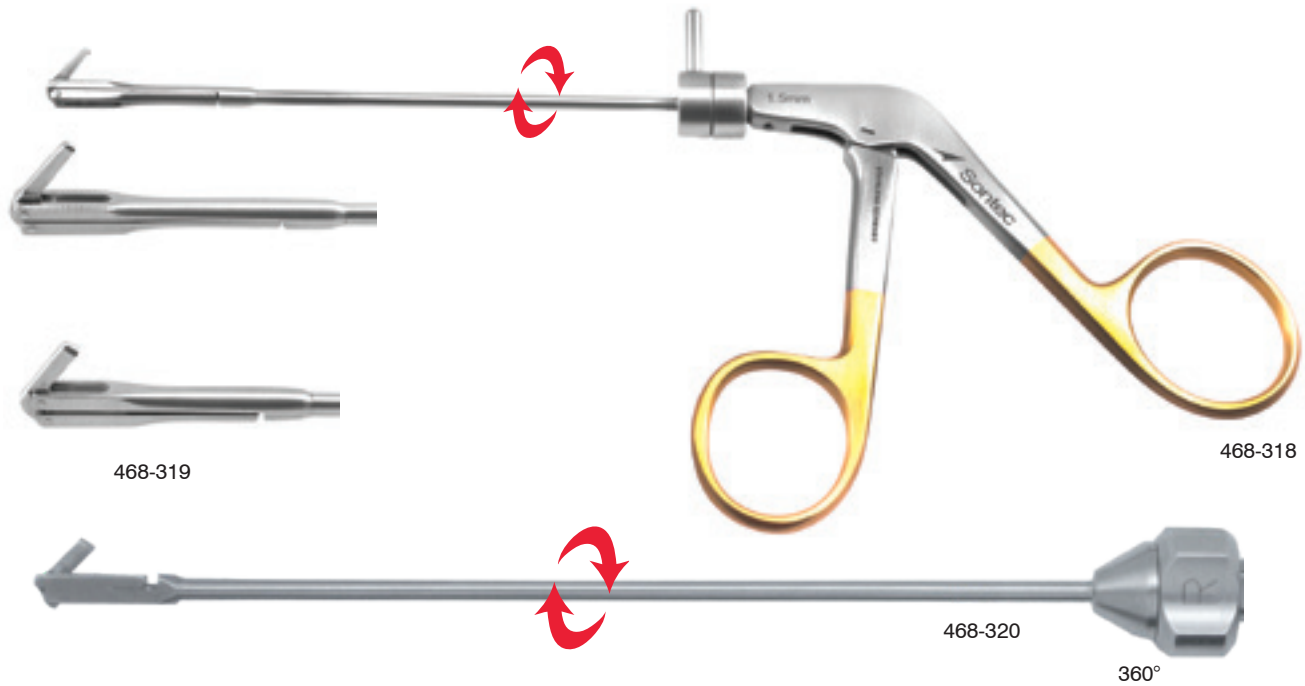
## Back Biter Rotating Punch Rongeur

360° rotatable / backward biting / 5 1/2" (14 cm) shaft

468-318 1.5 mm x 7 mm bite

468-320 2 mm x 7 mm bite

468-319 2.5 mm x 7 mm bite



360° rotatable shaft / backward biting / with suction /  
100 mm working length / 5 1/2" (14 cm) shaft

468-3185 1.5 mm x 6 mm bite



### Micro Antrum Punch Rongeur

---

360° rotatable shaft / backward biting / curved shaft / 100 mm working length

468-298 1.5 mm x 4 mm bite



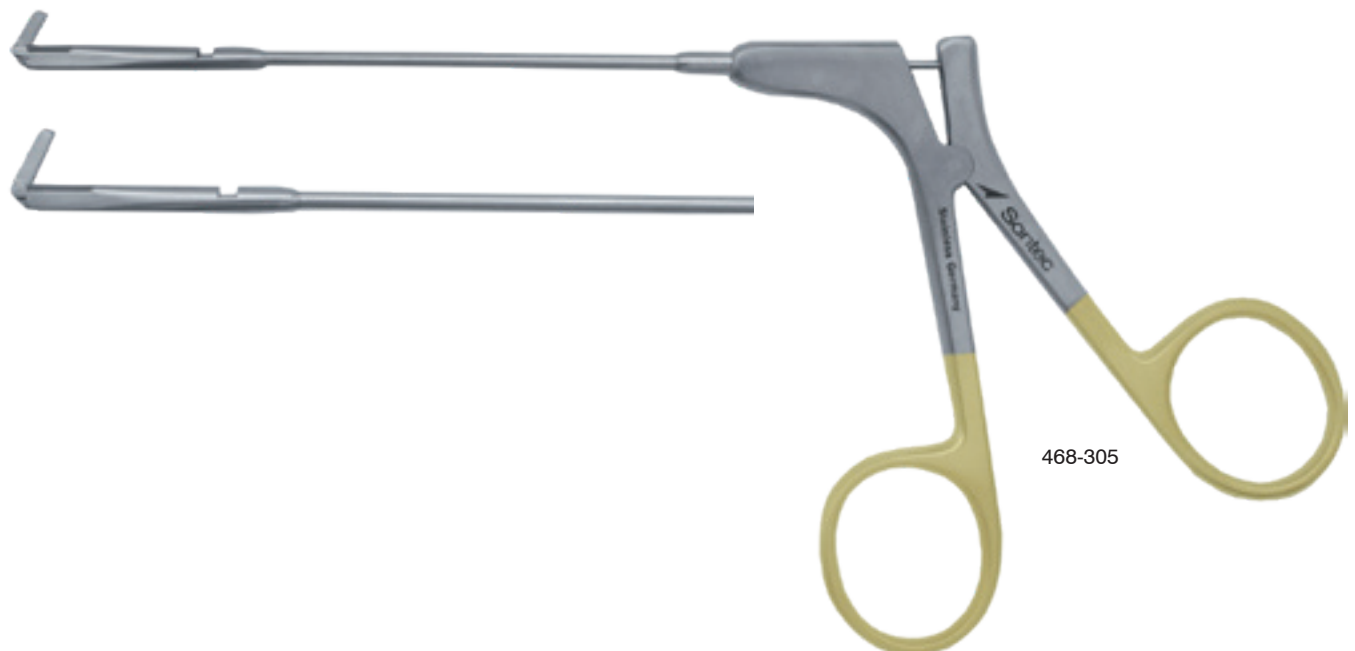
### Back Biter Ostrum Antrum Punch Rongeur

---

Straight / 5" (12.5 cm) shaft

468-300 pediatric 1 mm x 4 mm bite

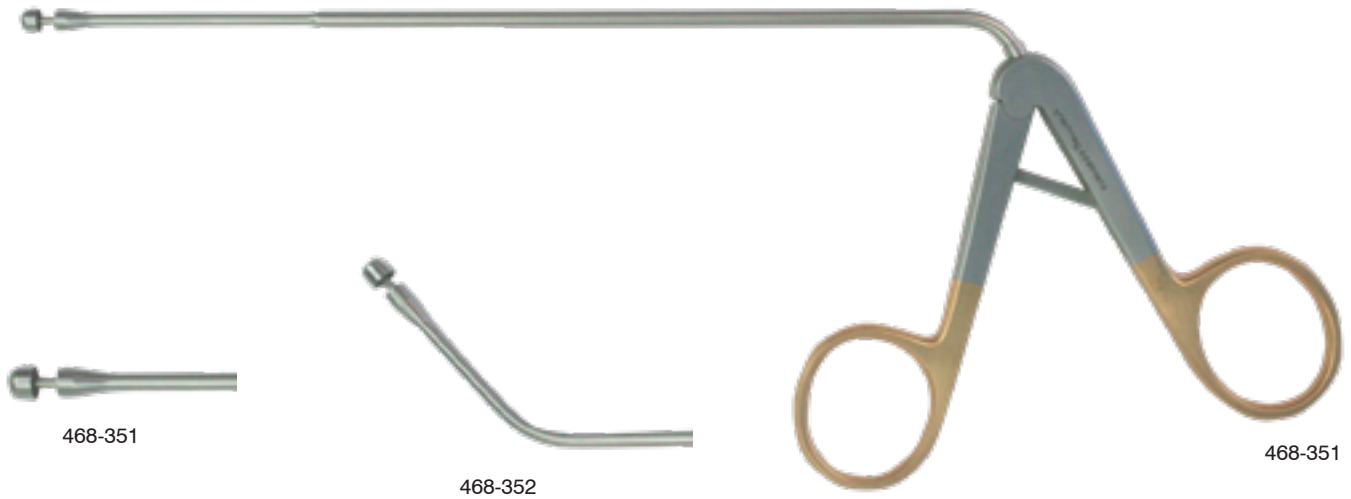
468-305 medium 1 1/2 mm x 8 mm bite



### Circular Cutting Antrum Punch Rongeur

Cuts a full 360 degrees without rotating the instrument / 7" (18 cm) shaft

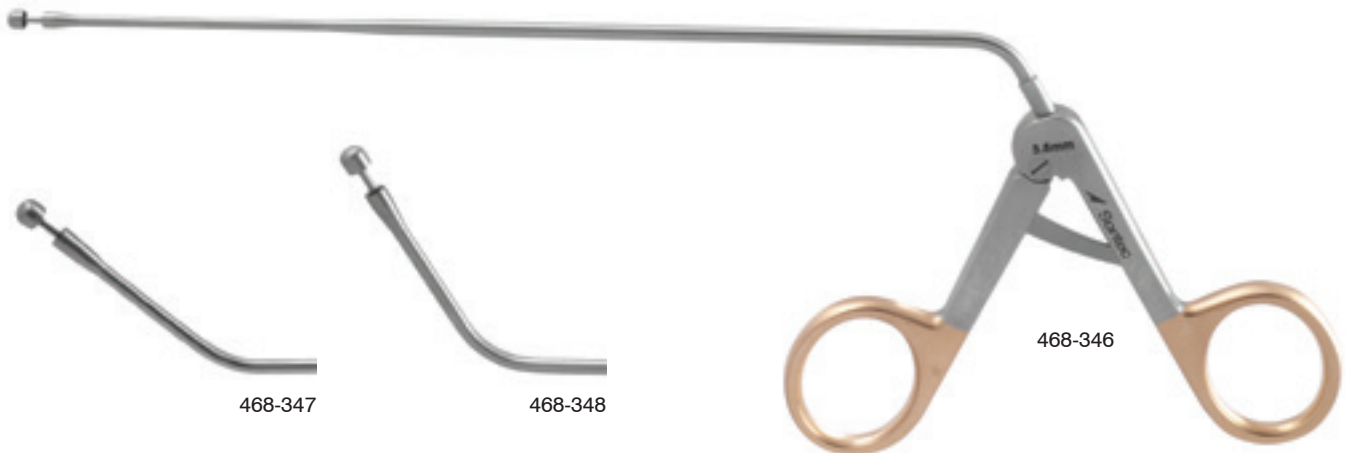
- 468-350 str 3.5mm
- 468-351 str 4.5mm
- 468-352 65° cvd up 3.5mm



### Circular Cutting Antrum Punch Rongeur

Cuts a full 360° without rotating the instrument / 6 1/4" working length / 3.5 mm tip

- 468-346 straight
- 468-347 45° curved up
- 468-348 65° curved up





## Nasal Scissors

---

13 mm blunt blades /  
6 1/4" (16 cm) shaft

468-104



## Nasal Scissors

---

Serrated / 5" working length

468-090 straight  
468-092 left  
468-094 right



## Weil Cut-Through Rongeur

Fenestrated jaw / scissor action / straight  
/ 4 1/2" (11.5 cm) shaft

- 468-649 2 mm x 5 mm jaw
- 468-650 2.5 mm x 5 mm jaw
- 468-651 3 mm x 5 mm jaw
- 468-660 3.6 mm x 8 mm jaw
- 468-670 4.8 mm x 14 mm jaw



## Weil Cut-Through Rongeur

Fenestrated jaw / scissor action / up-angled  
/ 4 1/2" (11.5 cm) shaft

- 468-654 2.5 mm x 5.5 mm jaw
- 468-664 3.6 mm x 8 mm jaw
- 468-674 4.8 mm x 13 mm jaw





Sontec Instruments®

A TRADITION OF FINE SURGICAL INSTRUMENTS

Sontec Instruments, Inc.  
7248 South Tucson Way  
Centennial, Colorado 80112 USA  
Toll-free / 800.821.7496  
Local / 303.790.9411  
Fax / 303.792.2606

[SontecInstruments.com](http://SontecInstruments.com)