



 Sontec Instruments®

SPINAL RETRACTOR SYSTEMS / CASPAR - SCOVILLE - CLOWARD

Caspar Cervical Vertebral Retractor Frame

Accommodates all blade types / single articulation / 85 mm maximum spread / 6 1/2" (16.5 cm)

416-280 stainless steel
416-680 titanium



Caspar Cervical Vertebral Retractor Frame

Accommodates all blade types / double articulation / 125 mm maximum spread / 8" (20 cm)

416-260 stainless steel
416-660 titanium



Caspar Cervical Vertebral Retractor Frame

Accommodates all blade types / single articulation / V-handle / 85 mm maximum spread

416-230 4 1/2 (11.5 cm)

Caspar Cervical Vertebral Retractor Frame

For use with the titanium & plastic quick release blades only / double articulation / 100 mm maximum spread

416-250 6 1/4" (16 cm)



416-230



416-250

Caspar MIS Cervical Vertebral Column Retractor Frame

Accommodates all blade types / double articulation / 90 mm maximum spread

- 416-200 stainless steel
- 416-700 titanium



Caspar Cervical Vertebral Column Retractor Frame

Rotatable arms / accommodates all blade types / double articulation / 90 mm maximum spread

416-202 stainless steel



HL MIS Retractor Frame Medium

Accommodates all blade types / double articulation / 200 mm maximum spread

416-201



Caspar V-Blunt Blade

Stainless steel

416-450	45 x 20 mm
416-452	50 x 20 mm
416-454	55 x 20 mm
416-456	60 x 20 mm
416-458	65 x 20 mm

Plastic / quick release / ultra-transparent to X-ray

416-460	45 x 20 mm
416-462	50 x 20 mm
416-464	55 x 20 mm
416-466	60 x 20 mm
416-468	65 x 20 mm



Stainless steel



Plastic / quick release

Caspar Serrated Lateral Blade

Stainless steel

416-519	40 x 15 mm	extra thin
416-520	45 x 20 mm	
416-522	50 x 20 mm	
416-524	55 x 20 mm	
416-526	60 x 20 mm	
416-528	65 x 20 mm	

Anodized aluminum

416-510	45 x 20 mm
416-512	50 x 20 mm
416-514	55 x 20 mm
416-516	60 x 20 mm
416-518	65 x 20 mm

Plastic / quick release

416-530	45 x 20 mm
416-532	50 x 20 mm
416-534	55 x 20 mm
416-536	60 x 20 mm
416-538	65 x 20 mm

Titanium / quick release / semi-transparent to X-ray

416-500	45 x 22 mm
416-502	50 x 22 mm
416-504	55 x 22 mm
416-506	60 x 22 mm
416-508	65 x 22 mm



Titanium / quick release



Plastic / quick release



stainless steel

Caspar Blunt Smooth Blade

Anodized aluminum

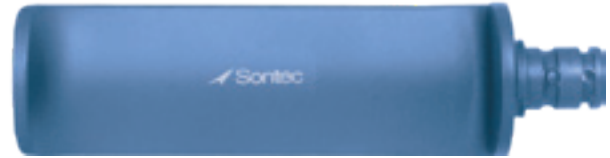
416-560	45 x 20 mm
416-562	50 x 20 mm
416-564	55 x 20 mm
416-566	60 x 20 mm
416-568	65 x 20 mm

Titanium / quick release / semi-transparent to X-ray

416-550	45 x 23 mm
416-552	50 x 23 mm
416-554	55 x 23 mm
416-556	60 x 23 mm
416-558	65 x 23 mm
416-559	75 x 23 mm



Anodized titanium



Titanium / quick release

Medial Blade

Stainless steel

416-400	45 x 20 mm
416-402	50 x 20 mm
416-404	55 x 20 mm
416-406	60 x 20 mm
416-408	65 x 20 mm

Anodized aluminum / special order only

416-410	45 x 20 mm
416-412	50 x 20 mm
416-414	55 x 20 mm
416-416	60 x 20 mm
416-418	65 x 20 mm

Plastic / quick release / ultra-transparent to X-ray

416-420	45 x 20 mm
416-422	50 x 20 mm
416-424	55 x 20 mm
416-426	60 x 20 mm
416-428	65 x 20 mm

Titanium / quick release

416-541	45 x 20 mm
416-542	50 x 20 mm
416-543	55 x 20 mm
416-544	60 x 20 mm
416-545	65 x 20 mm



Aluminum



416-542

Caspar Blade Removal Forceps

For changing blades

- 416-298 straight
- 416-299 angled



Caspar Hand Universal Retractor

For use with the quick release blades only / with depth gauge / screw on blade lock (more secure hold)

- 416-220 8" (20 cm)



For use with the quick release blades only / black handle

- 416-220L snap lock 8" (20 cm)
- 416-220B screw on blade lock 7 1/4" (18.4 cm)

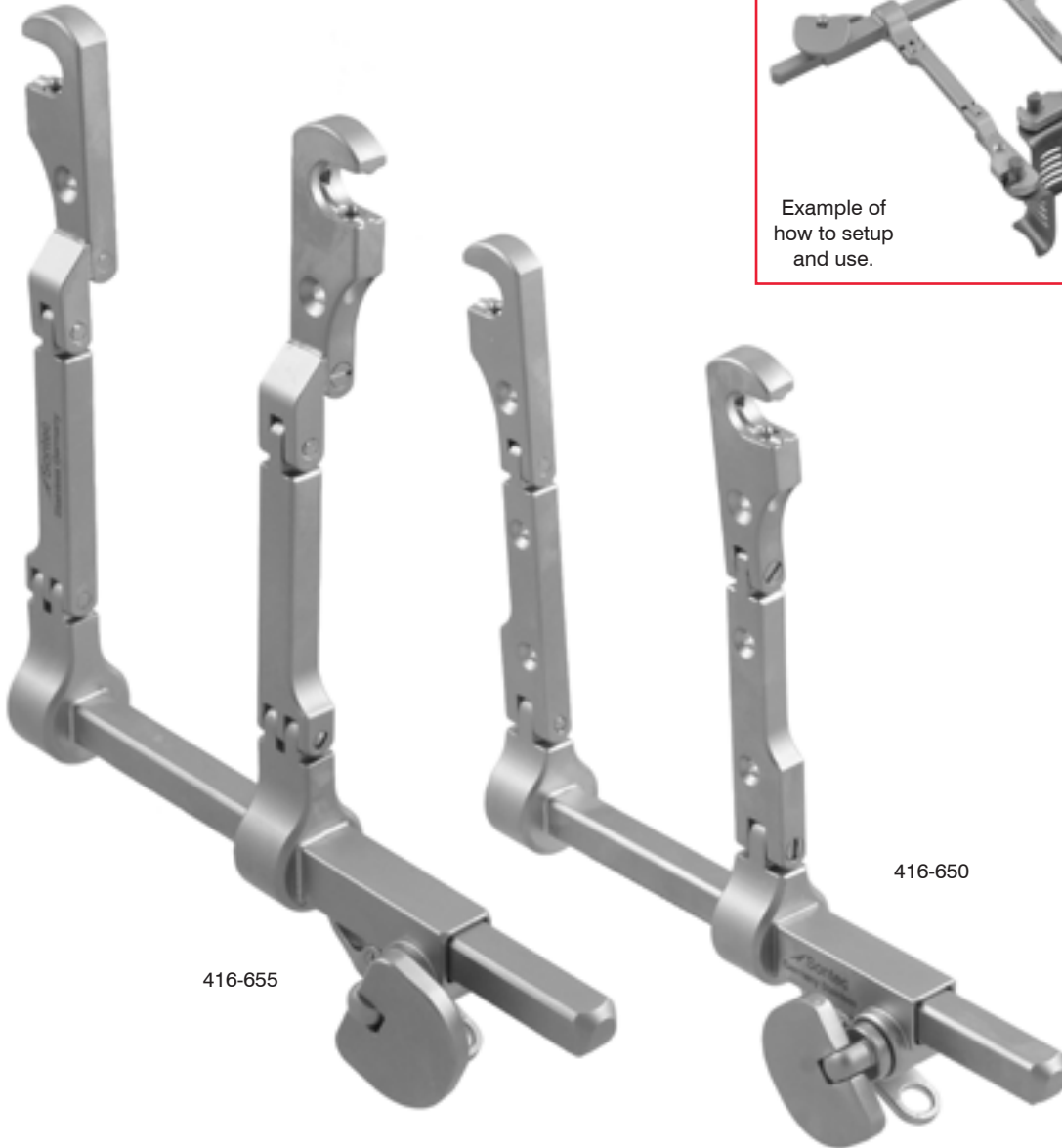
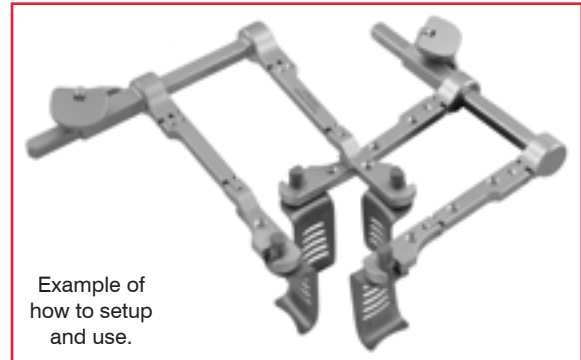


Caspar Cervical Vertebral Column Quick Release Retractor Frame

Accommodates SL-Connect blades / double articulation / 90 mm maximum spread / quick release

416-650

416-655 trans-verse/stepdown



SL - Connect Blade Insert Instrument

7 1/4" (188 mm)

416-225



SL - Connect Lateral Blade Titanium

Quick release

416-580 24 x 45

416-582 24 x 50

416-584 24 x 55



SL - Connect Blunt Blade Titanium

Quick release

416-586 24 x 45

416-588 24 x 50

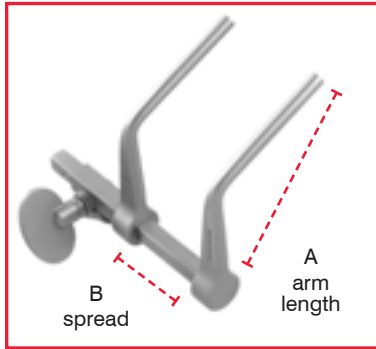
416-590 24 x 55



Caspar Distractor Vertebral Retractor

416-300 right
416-305 left

A	B
70 mm	93 mm



Caspar Drill Guide

Works inconjunction with distractors pictured on previous page. Screw mechanism slides over distractor bar for drill guide.

416-340 right
416-342 left



Caspar Twist Drill

416-335 1.7 mm Ø



Caspar Screw Post

For Distractor

416-312 12 mm

416-314 14 mm

416-316 16 mm



416-314



416-316

Caspar Screwdriver

For Distractor / also available in phenolic plastic handle / 7 3/4"

416-330



Caspar Lumbar Speculum

Non-reflective / anodized surface / 18 mm wide

416-820 40 mm in length

416-821 45 mm in length

416-822 50 mm in length

416-823 55 mm in length

416-824 60 mm in length

416-825 65 mm in length

416-826 75 mm in length

416-827 85 mm in length



Caspar Lumbar Speculum

Caspar Counter Retractor

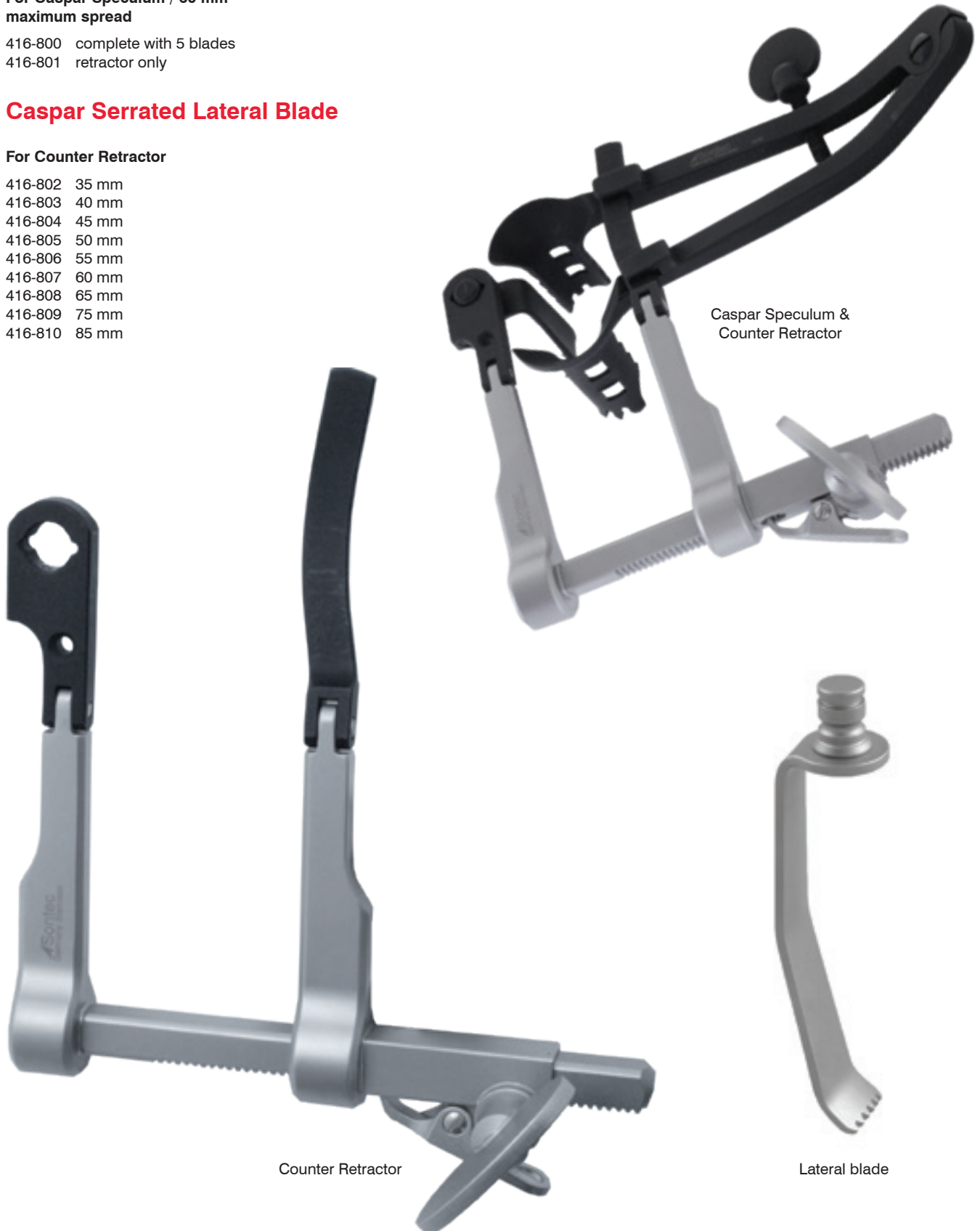
For Caspar Speculum / 60 mm
maximum spread

416-800 complete with 5 blades
416-801 retractor only

Caspar Serrated Lateral Blade

For Counter Retractor

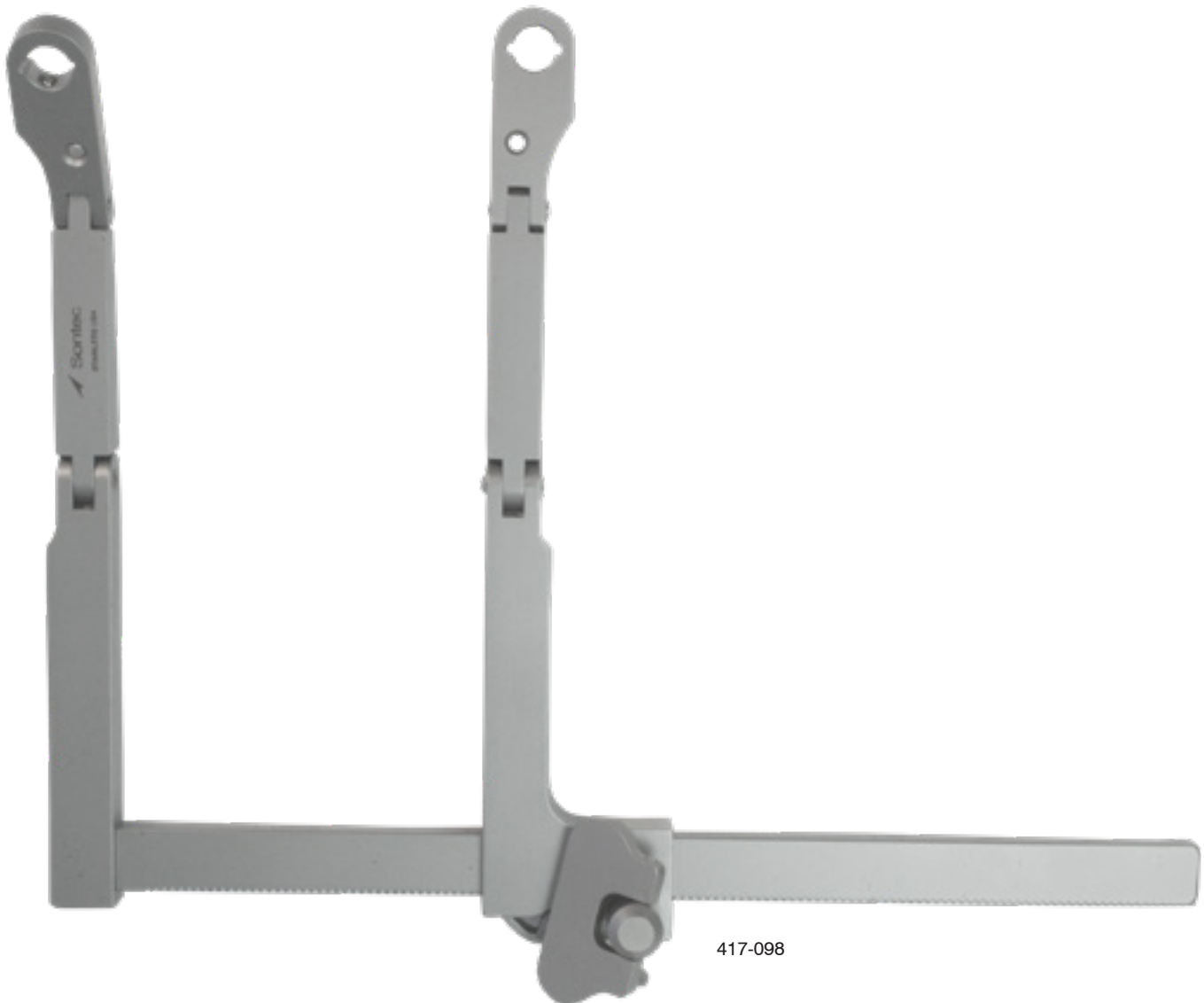
416-802 35 mm
416-803 40 mm
416-804 45 mm
416-805 50 mm
416-806 55 mm
416-807 60 mm
416-808 65 mm
416-809 75 mm
416-810 85 mm



Scoville Retractor Frame

lumbar retractor system / accommodates
all blade types / double articulation / 8
1/4" long with 6 1/2" arms

417-098



417-098

Scoville Lumbar Blade

23 mm wide

417-0030	23 x 35 mm
417-0031	23 x 45 mm
417-0032	23 x 55 mm
417-0033	23 x 65 mm
417-0034	23 x 75 mm
417-0035	23 x 85 mm
417-0036	23 x 100 mm
417-0037	23 x 120 mm

45 mm wide

417-0050	45 x 50 mm
417-0051	45 x 60 mm
417-0052	45 x 70 mm
417-0053	45 x 80 mm

60 mm wide

417-0060	60 x 50 mm
417-0061	60 x 60 mm
417-0062	60 x 70 mm
417-0063	60 x 80 mm
417-0064	60 x 100 mm
417-0065	60 x 120 mm



Scoville Middle Lumbar Blade

15 degrees

417-0135	35 mm
417-0136	40 mm
417-0137	45 mm
417-0138	50 mm
417-0139	55 mm
417-0140	60 mm
417-0141	65 mm
417-0142	70 mm
417-0143	75 mm
417-0144	80 mm



Micro Lamina Spreader

With speed lock / many tip widths
available / 5 3/4" (14.5 cm)

417-058

With speed lock / deep angle / 6 3/4"
(17.1 cm)

417-058D



417-058



417-058D

Caspar Nerve-Root Retractor

For micro lumbar dissection

- 416-844 4 mm
- 416-846 6 mm
- 416-848 8 mm
- 416-850 10 mm



416-844



416-848



416-846



416-850

Cloward Cervical Retractor

64 mm maximum spread

416-130 complete, with 5 toothed blades
416-131 frame only

Blunt Blade

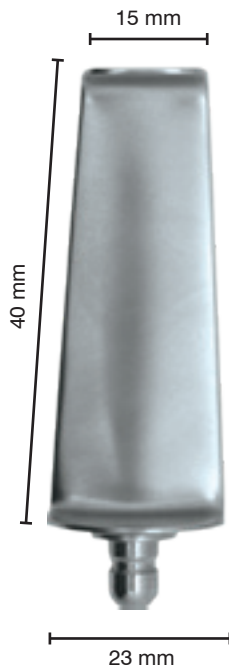
For Cloward Cervical Retractor

416-132 40 mm x 15/23 mm
416-133 45 mm x 15/23 mm
416-134 50 mm x 15/23 mm
416-135 55 mm x 15/23 mm
416-136 60 mm x 15/23 mm

Round Blade

For Cloward Cervical Retractor

416-138 55 mm x 20 mm
416-139 60 mm x 20 mm
416-140 65 mm x 25 mm
416-141 70 mm x 25 mm



Cloward Cervical Retractor

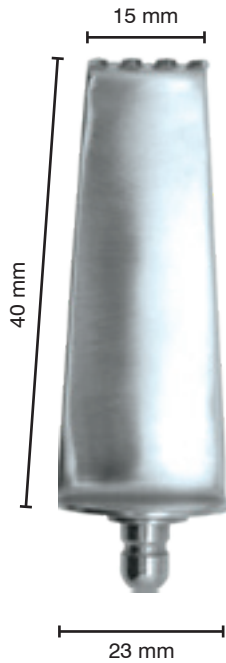
114 mm maximum spread

416-100 complete, with 5 toothed blades
416-101 frame only

Toothed Blade

For Cloward Cervical Retractor

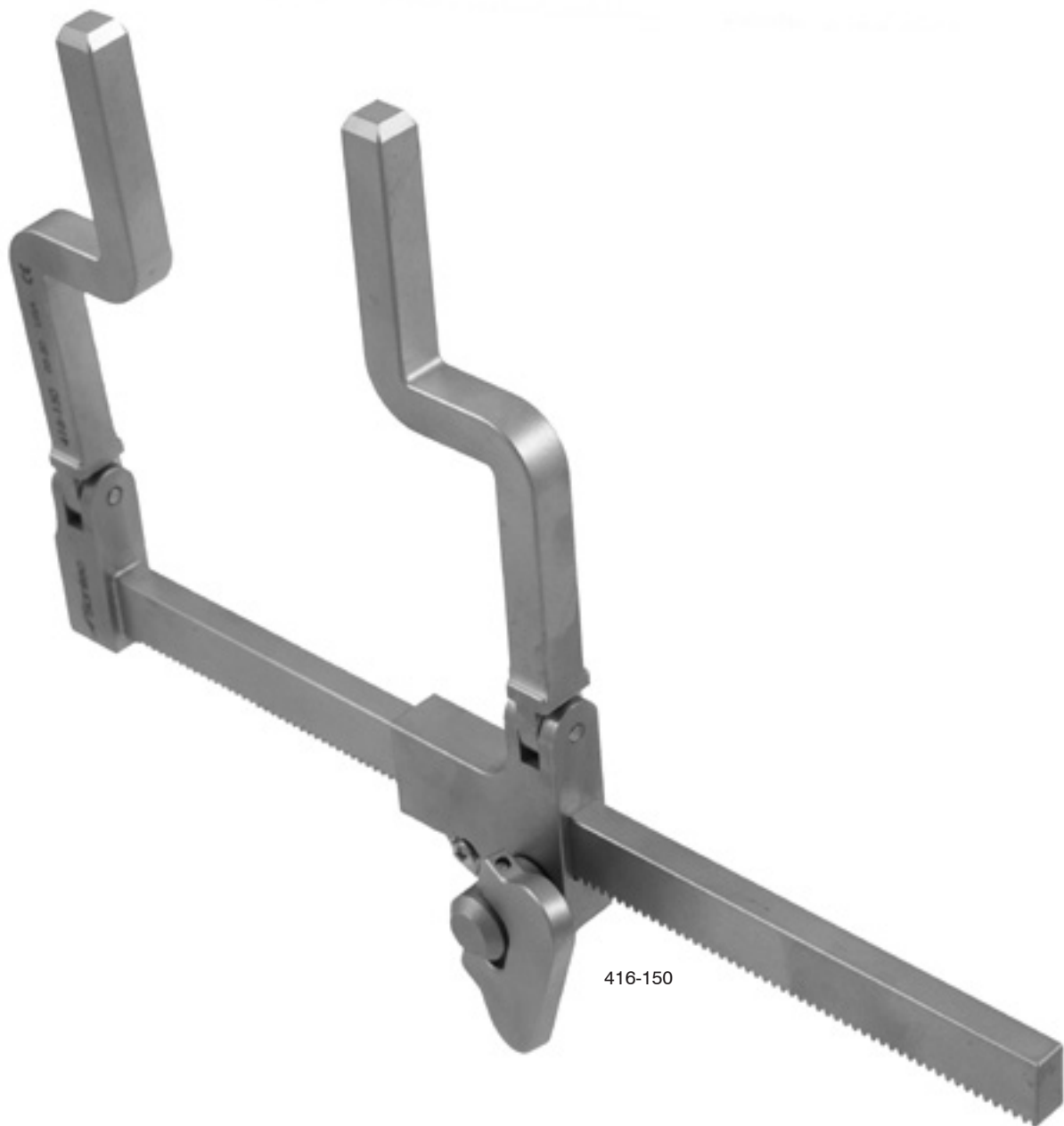
416-102 40 mm x 15/23 mm
416-103 45 mm x 15/23 mm
416-104 50 mm x 15/23 mm
416-105 55 mm x 15/23 mm
416-106 60 mm x 15/23 mm



McCullough Retractor Set

64 mm maximum spread

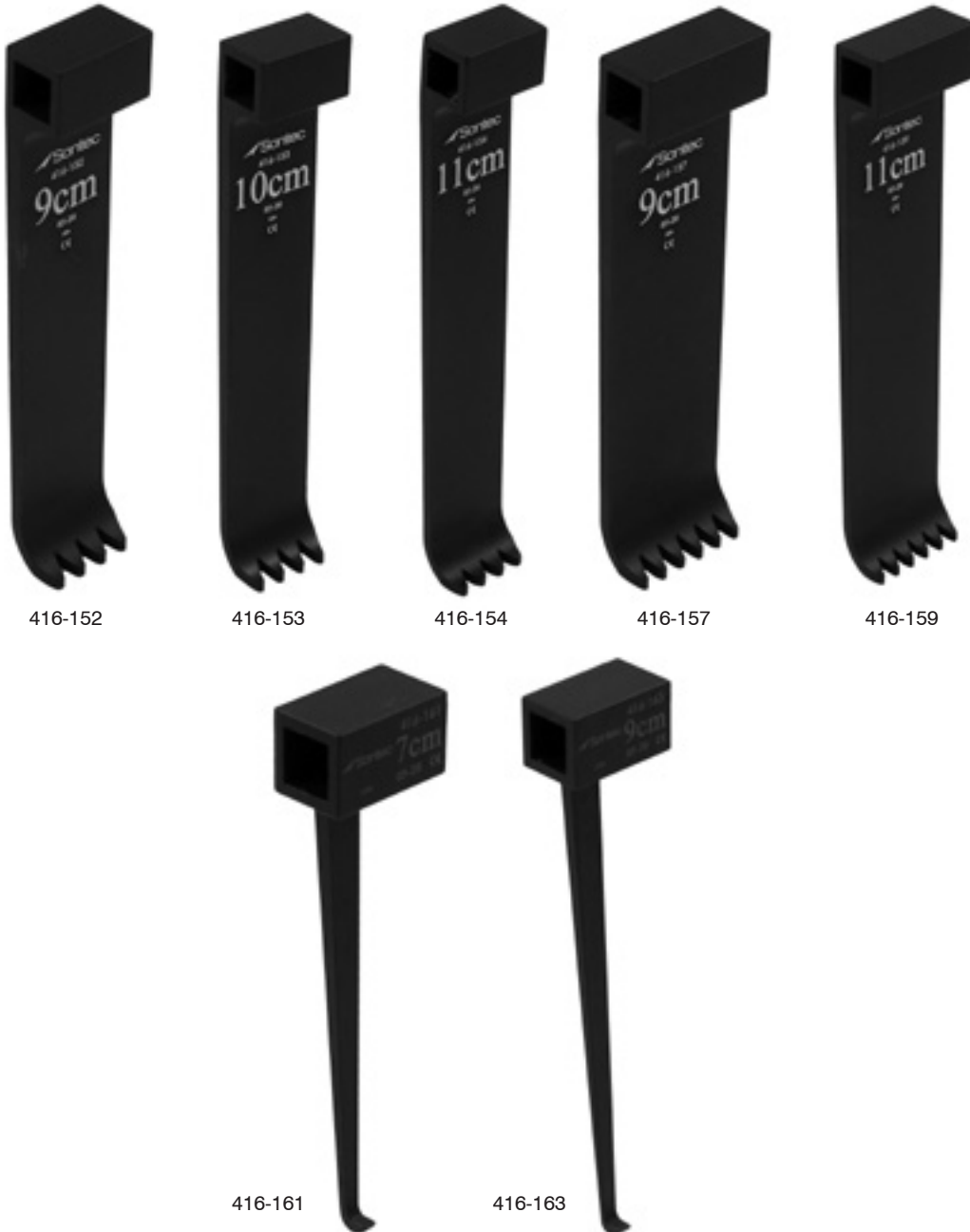
416-150 extended rack 8"



McCullough Retractor Set

64 mm maximum spread

416-150	extended rack 8"	
416-152	black narrow muscle blade	2 cm x 9 cm
416-153	black narrow muscle blade	2 cm x 10 cm
416-154	black narrow muscle blade	2 cm x 11 cm
416-157	black wide muscle blade	2.7 cm x 9 cm
416-158	black wide muscle blade	2.7 cm x 10 cm
416-159	black wide muscle blade	2.7 cm x 11 cm
416-161	black hook blade	7 cm
416-162	black hook blade	8 cm
416-163	black hook blade	9 cm



416-152

416-153

416-154

416-157

416-159

416-161

416-163

Neuro Caliper

8 3/4" (22 cm)

355-250

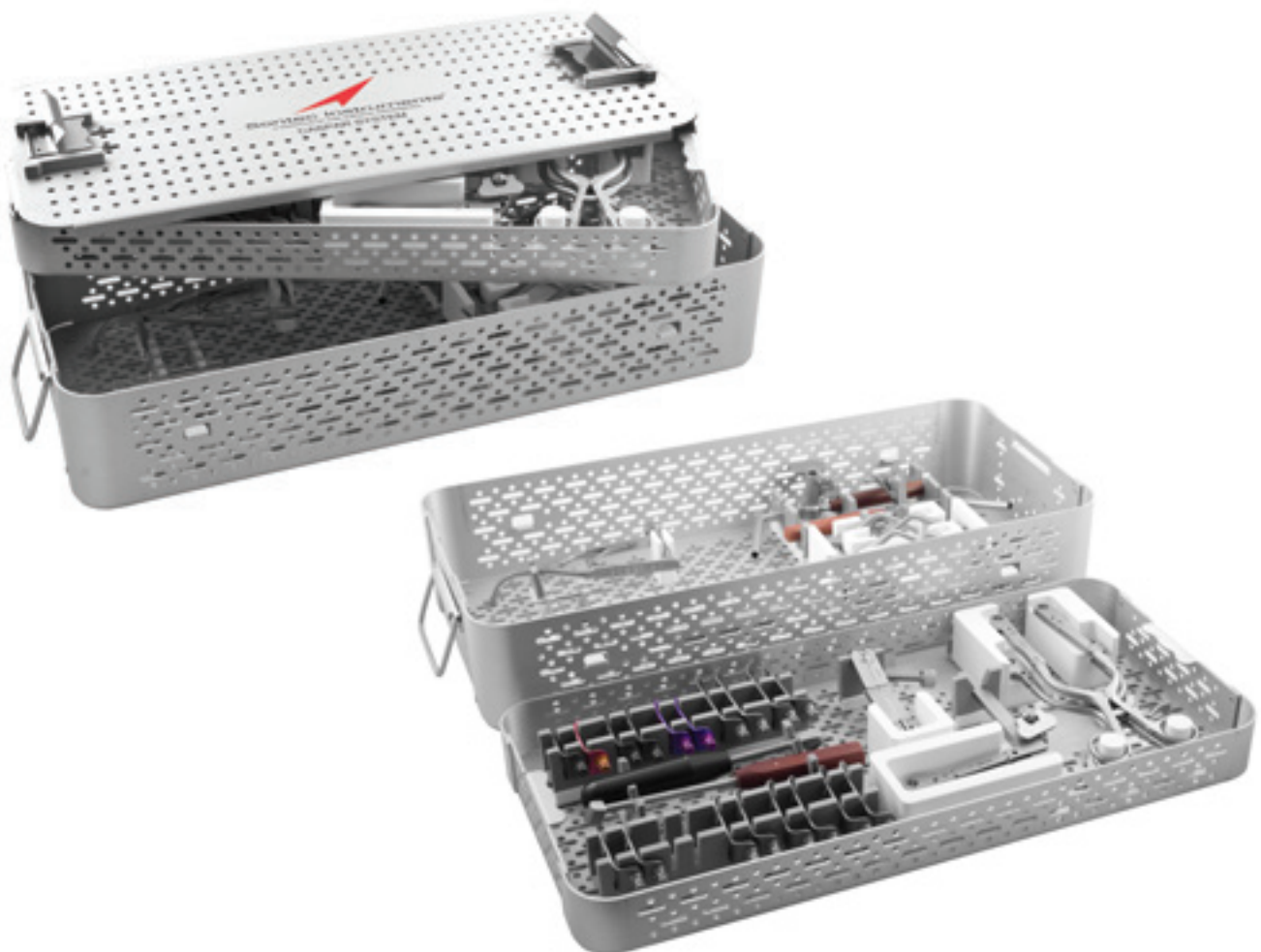


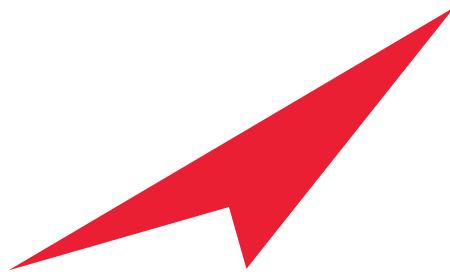
Caspar System Complete Set

1103-729 tray
416-199 set Call for individual & set pricing

Set includes:

416-200 caspar cervical vertebral column retractor frame
416-220 caspar hand retractor with depth gauge 8"
OR
416-220B caspar hand retractor with screw on blade 7 1/4"
416-230 caspar cervical vertebral retractor "v-shape 4 1/2"
416-260 caspar cervical vertebral retractor 8" double articulating
416-280 caspar cervical vertebral retractor 6 1/2" single
416-299 caspar forceps for changing blades
416-300 caspar distractor right
416-305 caspar distractor left
416-314 screw post for distractor 14 mm
416-330 caspar screwdriver universal
416-335 caspar twist drill 1.7mm
416-340 drill guide 65 degree angle right phenolic handle
416-342 drill guide 65 degree angle left phenolic handle
417-058D micro lamina spreader deep angle with speed lock 6 3/4"
assorted blades (10 sets) different sizes
tray





Sontec Instruments®

A TRADITION OF FINE SURGICAL INSTRUMENTS

Sontec Instruments, Inc.
7248 South Tucson Way
Centennial, Colorado 80112 USA
Toll-free / 800.821.7496
Local / 303.790.9411
Fax / 303.792.2606

SontecInstruments.com